

## (UM) Misting Nozzles



Plastic Nozzle



Metal

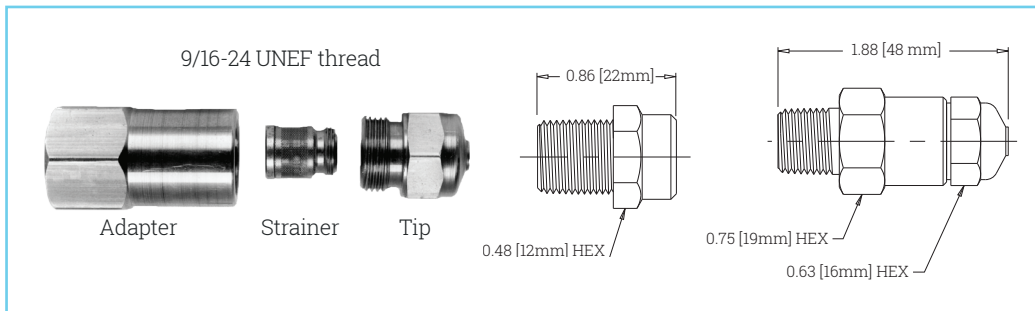
### DESIGN FEATURES

- Very fine, fog-like mist
- Produces a high number of droplets under 60 microns
- Includes integrated check valve to prevent dripping
- Metal nozzle includes integral 100 mesh strainer

### SPRAY CHARACTERISTICS

- Medium angle, hollow cone pattern

**Flow rates:** 0.37 to 16.4 GPH (Metal),  
0.63 to 8.5 GPH (Plastic)



Drawing dimensions listed are within a tolerance +/- 1/32"

MISTING

## ULTIMIST® METAL FLOW RATES & DIMENSIONS

Materials: 416 Stainless Steel Tip, Brass Adapter/Body

Male or Female Connection Type	Nozzle Number	K Factor	Flow Rate (GPH) @ Differential Pressure (psi)				
			40	100	500	1000	1200
			psi	psi	psi	psi	psi
1/8" or 1/4" NPT, BSP	UM37M	0.06	0.37	0.59	1.30	1.90	2.00
	UM50M	0.08	0.50	0.79	1.80	2.50	2.70
	UM75M	0.12	0.75	1.20	2.70	3.80	4.10
	UM100M	0.13	1.00	1.60	3.50	5.00	5.50
	UM150M	0.24	1.50	2.40	5.30	7.50	8.20
	UM200M	0.32	2.00	3.20	7.10	10.0	11.0
	UM250M	0.40	2.50	4.00	8.80	12.5	13.7
UM300M	0.47	3.00	4.70	10.6	15.0	16.4	

## ULTIMIST® PLASTIC FLOW RATES & DIMENSIONS

Materials: Polyacetal

Male Connection Type	Nozzle Number	K Factor	Flow Rate (GPH) @ Differential Pressure (psi)				
			40	60	100	200	1000
			psi	psi	psi	psi	psi
1/8" NPT, BSP	UML63M	0.10	0.63	0.77	1.00	1.40	3.20
	UML126M	0.20	1.30	1.50	2.00	2.80	6.30
	UML170M	0.27	1.70	2.10	2.70	3.80	8.50

Flow Rate (GPM) =  $K\sqrt{PSI}$

Spray angle performance varies with pressure. Contact BETE for specific data on critical applications.